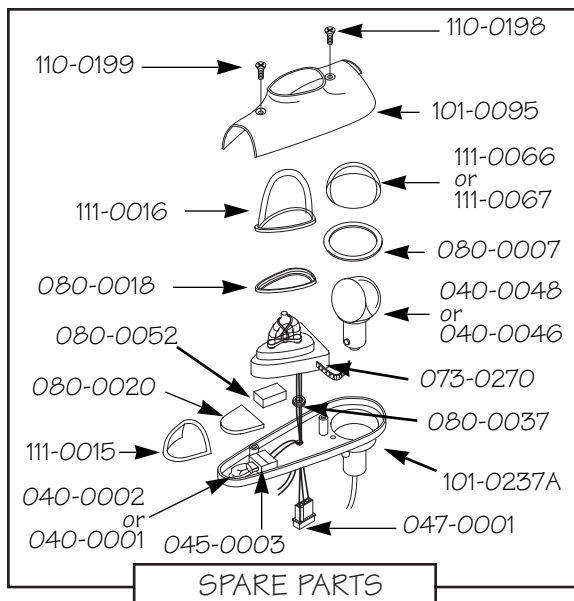
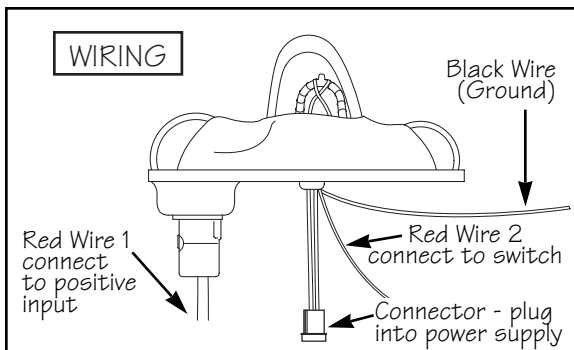
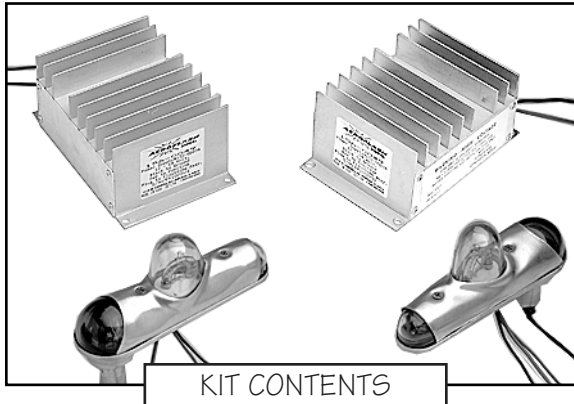


# NON-PMA REMOTE NAV/STROBE/POSITION LIGHT ASSEMBLY FOR ULTRA-LIGHTS • HOME-BUILTS • EXPERIMENTAL AIRCRAFT

## KIT # 156-0049

### Specifications, Wiring & Spare Parts Guide



## KIT CONTENTS

Qty	Description	Part No.	Weight Ea.
1	Red Lens Assembly .....	073-0540R	6 oz.
1	Green Lens Assembly .....	073-0540G	6 oz.

### Dimensions for the Lamp Assembly:

Housing.....1.759" wide x 5.565" long.  
Height .....2.261" (from bottom of housing to top of dome)

2	Power Supplies (Please specify):		
	12V Single Flash .....	152-0007	1.33 lbs.
	(1.5 amp draw for each power supply)		
	12V Double Flash.....	152-0011	1.33 lbs.
	(2.7 amp draw for each power supply)		
	24V Single Flash.....	152-0010	1.25 lbs.
	(1.0 amp draw for each power supply)		

### Specifications for the power supplies:

Dimensions.....5 1/2" long x 3 11/16" wide x 2 1/2" high  
Output.....10 Joule

## WIRING

(Refer to Diagram)

**RED WIRE 1 (Nav lamp)** - Connect to positive input.

**RED WIRE 2 (Position Lamp)** - Connect to switch.

**BLACK WIRE** Connect to ground. (Nav and strobe lamps are internally grounded to the case).

**CONNECTOR** Operates the strobe lamp. This plugs in directly to the Power Supply (Aeroflash model 152-0007, 152-0011, 152-0010).

## SPARE PARTS LISTING

Part No.	Description
111-0016	Wingtip Strobe Lens
080-0018	EMI Shielded Gasket
080-0052	Cushion Wedge
080-0020	Insulating Gasket
111-0015	Lens for Position Lamp
040-0002	12V Position Lamp
040-0001	24V Position Lamp
047-0001	Male 3-Pin Connector
101-0237A	Mounting Flange
080-0037	Grommet
073-0270	Wingtip Flashtube
040-0048	12V Nav Lamp
040-0046	24V Nav Lamp
080-0007	"O" Ring
111-0066	Red Nav Lens
111-0067	Green Nav Lens
101-0095	Hold Down Bracket
110-0198	Screw (1)
110-0199	Screw (1)
045-0003	Ceramic holder for position lamp

\*Custom cable assemblies are available



Questions? Call us between 6:00 a.m. - 2:30 p.m. CST

Technical Support ..... 1-312-733-3513 Ext. 121

Sales ..... 1-800-322-2052 Ext. 101 (Toll-free in the USA)

1-312-733-3513 Ext. 101 (Local & Intern'l)

1715 W. Carroll Ave. • Chicago, IL 60612 Fax (312) 733-0192 • Website: <http://www.aeroflash.com>

af01054-b-031501